

DE-VAN[®] CABIN BED

6+



WARNING! KEEP AWAY FROM FIRE

- Recommended for children from 6 years to 12 years old.
- Adult assembly required.
- This package contains small parts. Keep away from children until fully assembled.
- Only use this product on a level surface, free from obstruction
- Regularly check all fastenings to ensure they are properly tightened.
- Failure to comply with precautions may result in injury
- **WARNING:** Not suitable for children under six years due to the risk of injury from falls.
- **WARNING:** Do not place this bunk bed near heat sources, windows and other furniture.
- **WARNING:** Do not prevent any access to the ladder with furniture or near door.
- **WARNING:** Children can become trapped between the bed and the wall. To avoid risk of serious injury the distance between the top safety barrier and the wall shall not exceed 75mm or shall be more than 230mm.
- **WARNING:** Do not use this bunk bed if any structural part is broken, torn or missing
- **WARNING:** Children can strangle in items such as rope, strings, cords, harnesses and belt attached to or hung on the bunk bed. Strings can cause strangulation.
- Do not use water or inflatable mattresses on this product.
- All assembly fitting must be tightened properly and checked periodically and care should be taken that no fittings are loose.
- Do not substitute parts. Use only additional or replacement parts supplied by Worlds Apart.
- Maximum thickness of the mattress: 20cm.
- Recommended mattress size 190cm x 90cm.

- Bunk bed conforms to BS EN 747-1: 2007.
- Worlds Apart Ltd.
- Made in China.



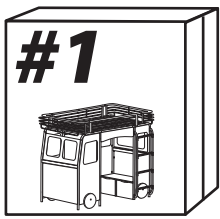
The Innovation Factory
St. Columb Major
Business Park,
Cornwall
TR9 6SX
United Kingdom

CUSTOMER CARE

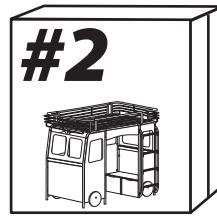
FREEPHONE: 0800 389 8591 (UK only)
www.worldsapart.com
customercare@worldsapart.com

© 2009 Worlds Apart Limited
All Rights Reserved
Design Right Worlds Apart Limited

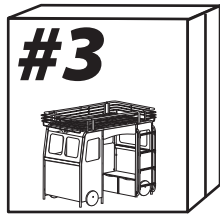
IMPORTANT! KEEP FOR FUTURE REFERENCE



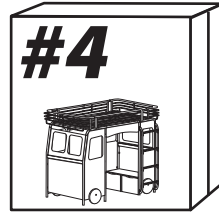
M5x1 **M12x1**
M6x1 **M13x1**
M7x1 **F11x1**
M8x1
M10x1
M11x1



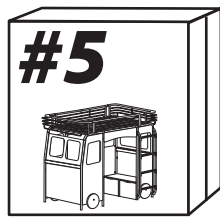
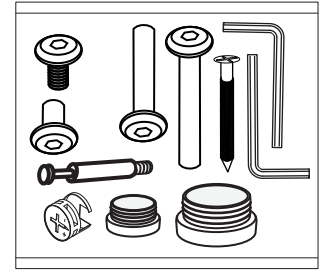
M1x1
M2x1
M3x1
M4x1
M13x3



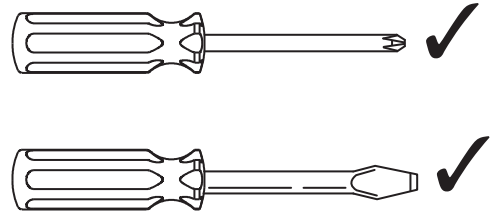
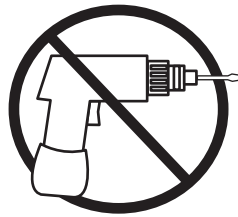
Wx1 **M16x2**
Xx1 **F11x1**
Yx1 **M9x2**
M14x1
M15x4



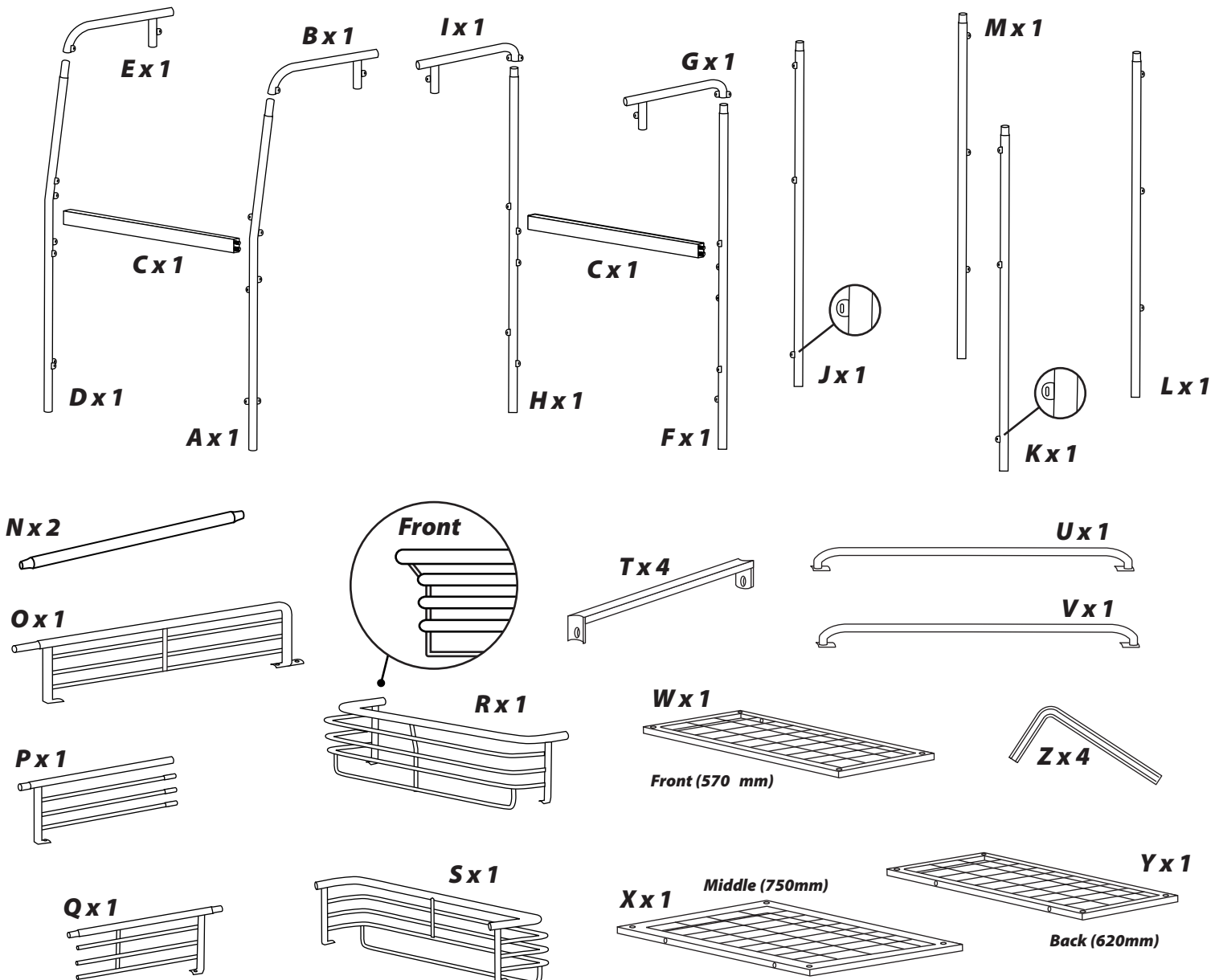
Bx1 **Nx2**
Cx2 **Rx1**
Ex1 **Sx1**
Gx1 **Tx4**
Ix1 **F13x1**
F9x16 **F12x2**
F10x1



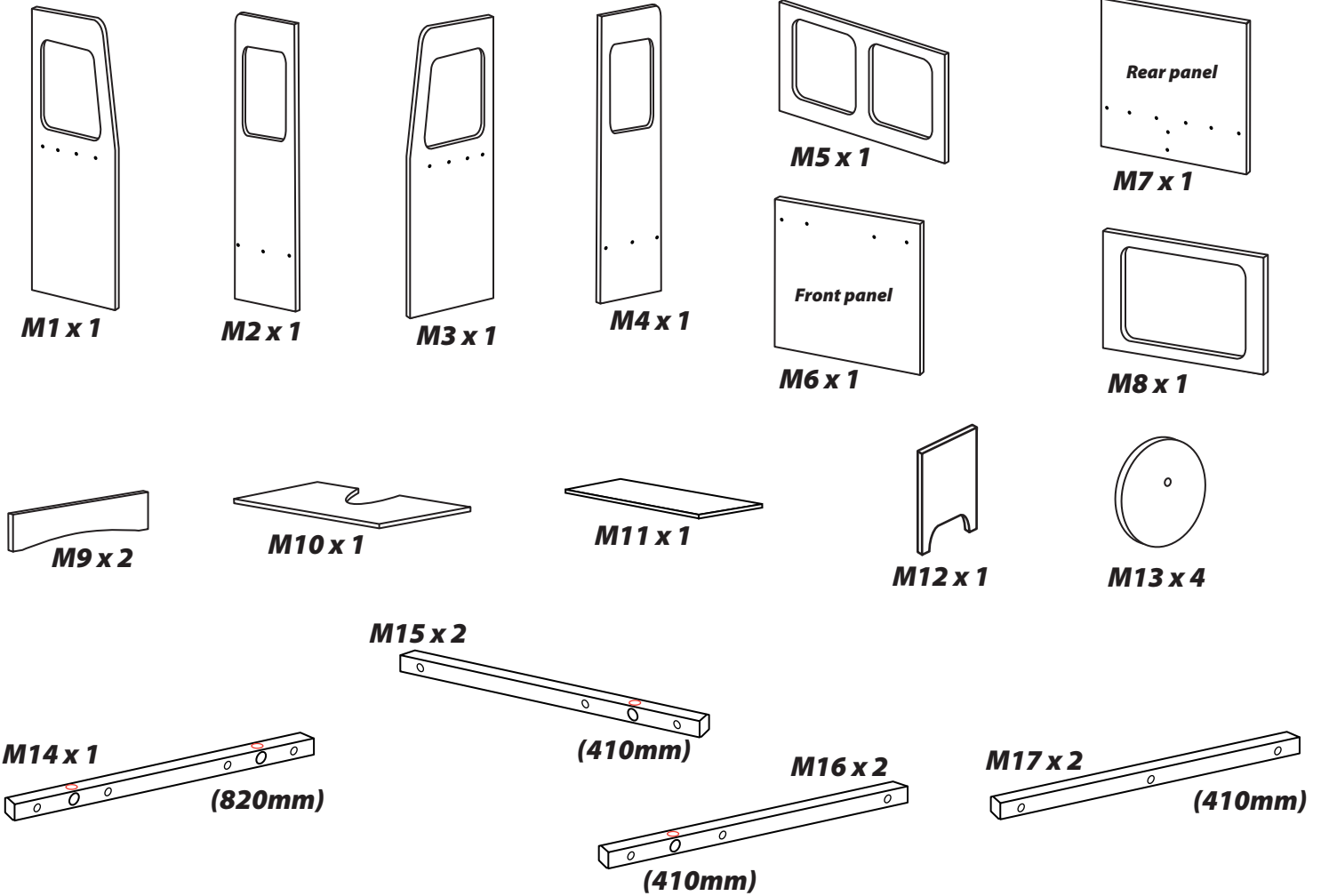
Ax1 **Mx1**
Dx1 **Ox1**
Fx1 **Px1**
Hx1 **Qx1**
Jx1 **Ux1**
Kx1 **Vx1**
Lx1



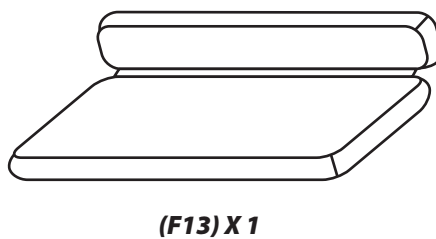
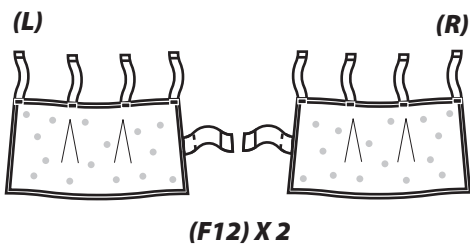
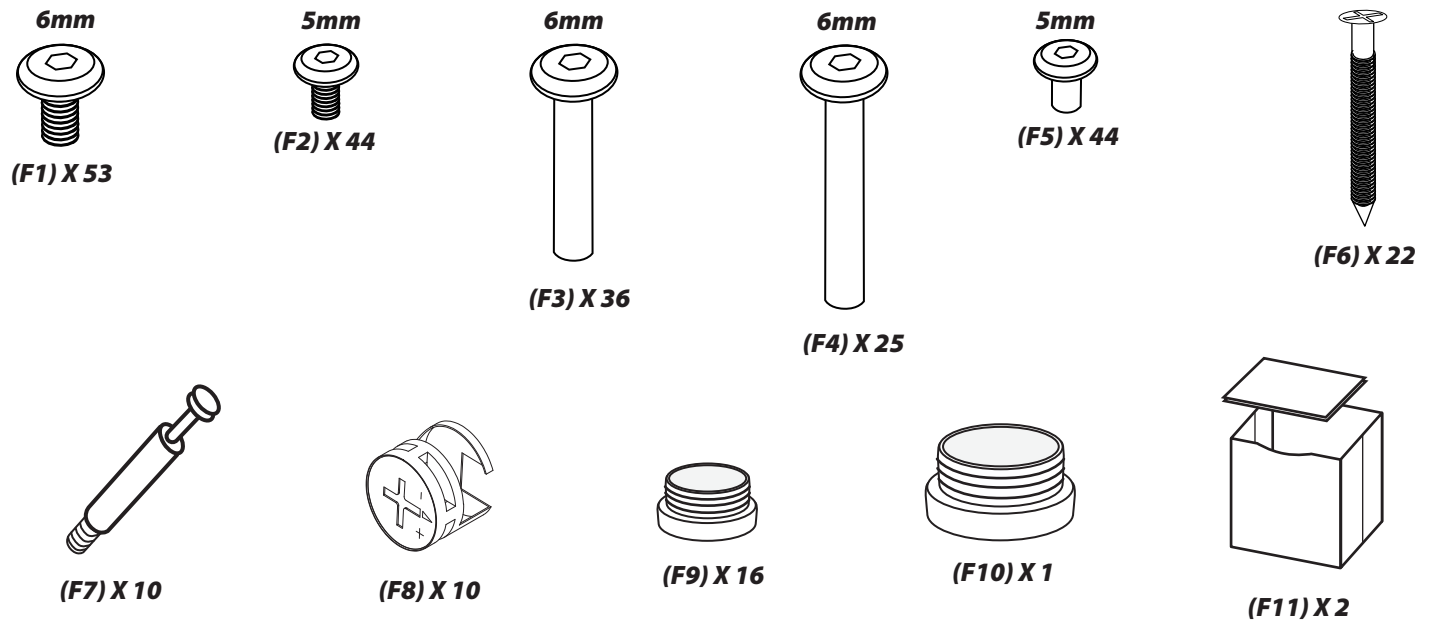
CONTENTS:



MDF CONTENTS:



FIXING CONTENTS:

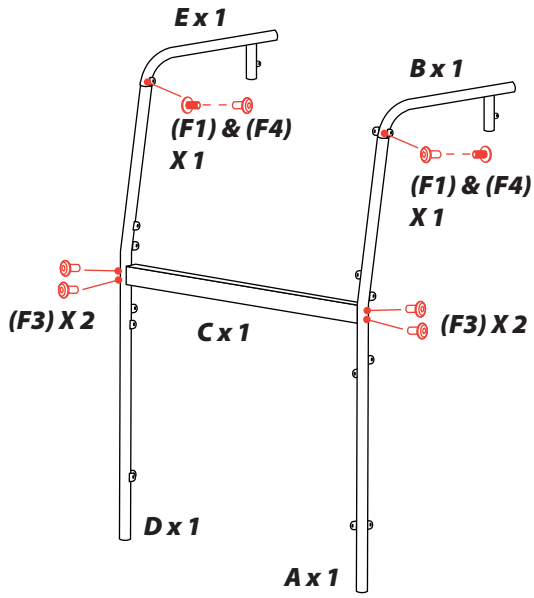
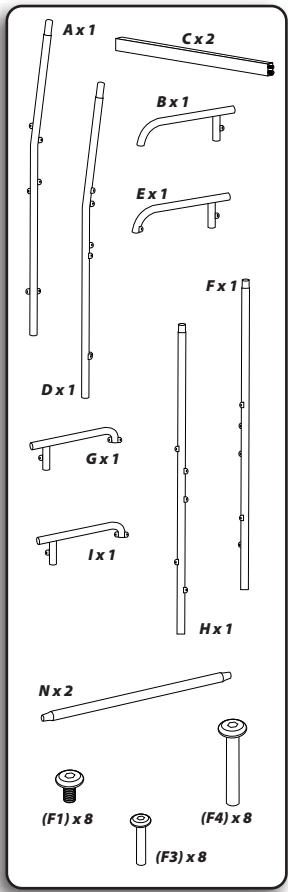


SPARES:

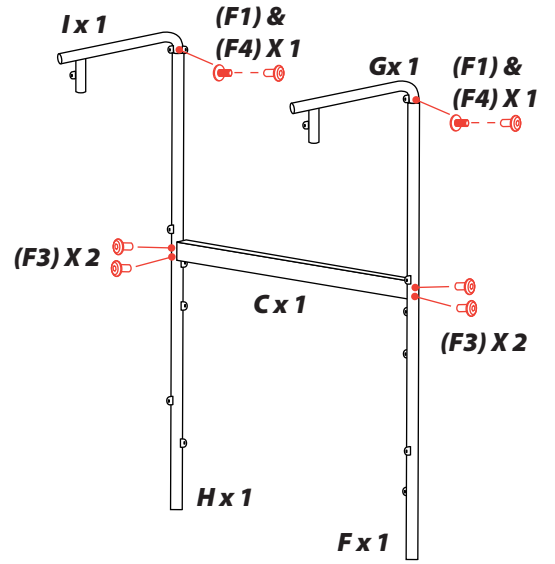
F1 x 2	F4 x 1
F2 x 2	F5 x 2
F3 x 1	

1

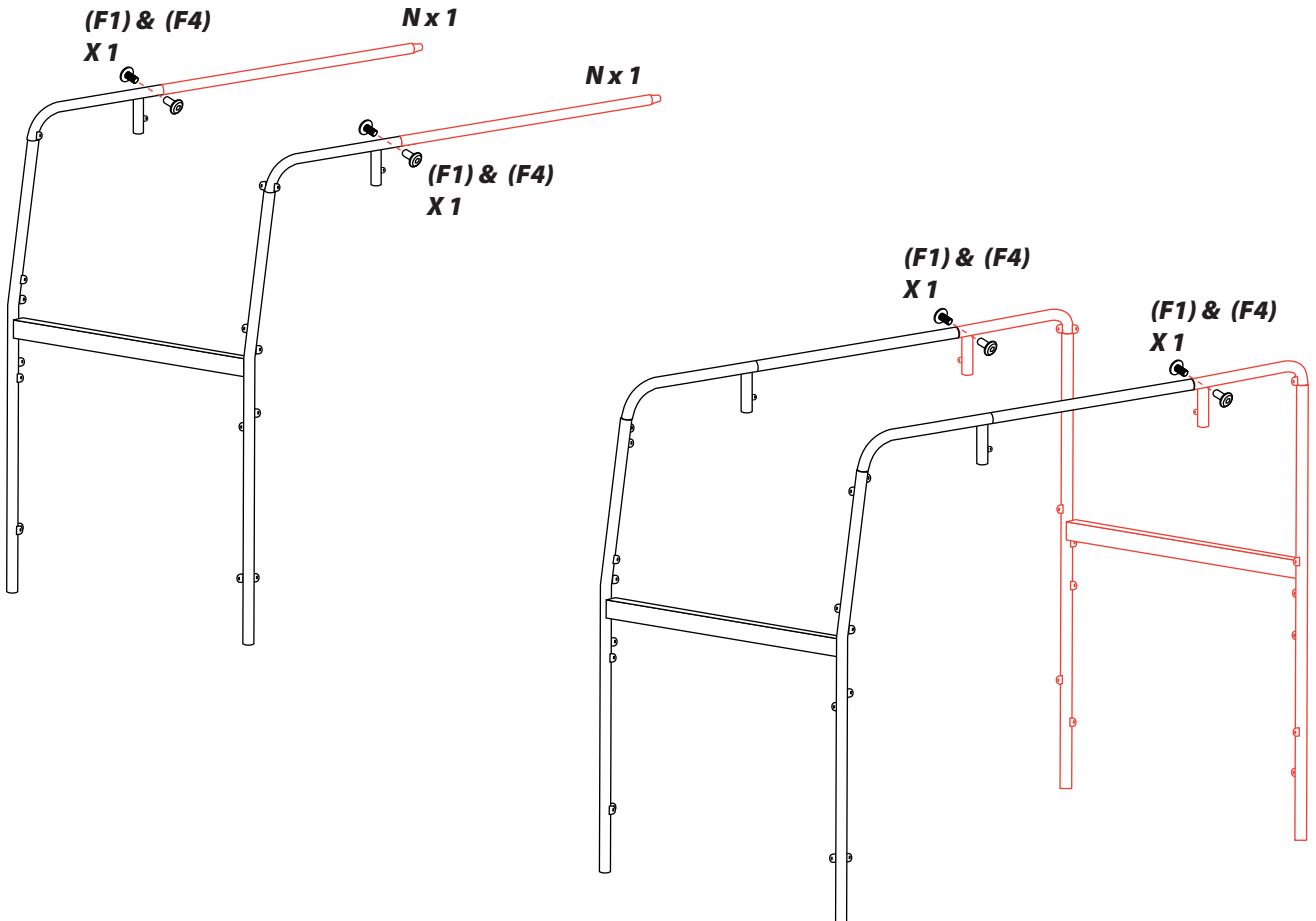
DIAGRAMS SHOW BED WITH LADDER ON THE RIGHT HAND SIDE - PLEASE REVERSE STAGES SHOULD YOU WANT THE LADDER TO BE ON THE LEFT HAND SIDE OF THE BED.

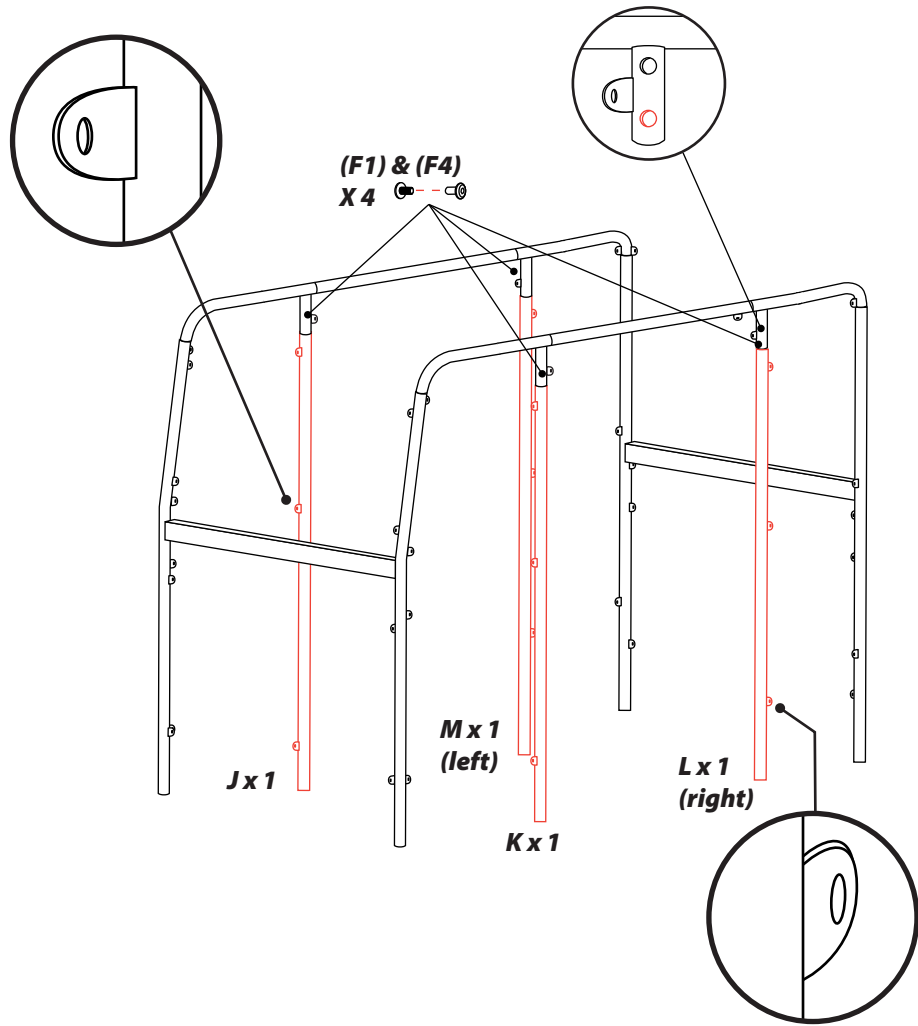
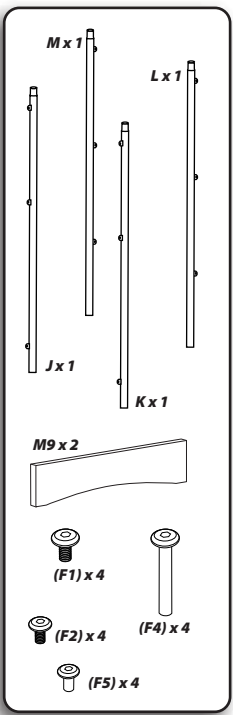


2

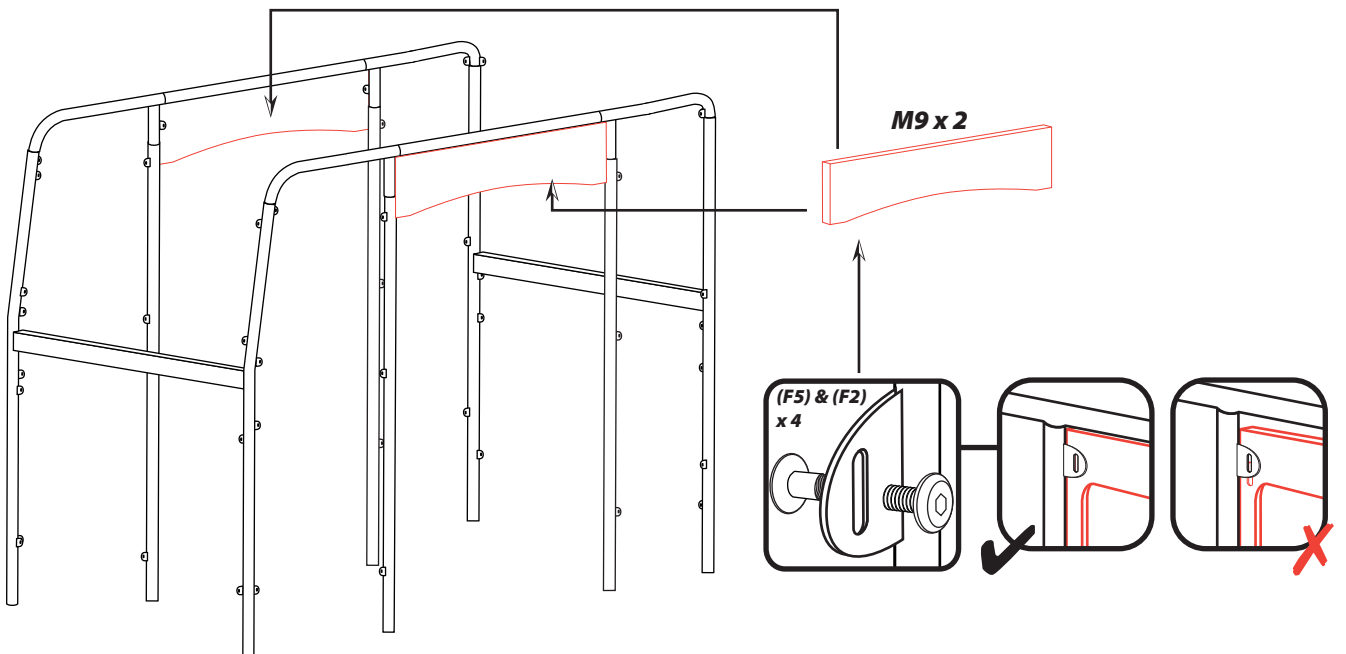


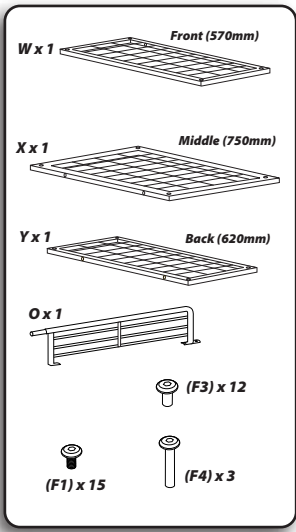
3



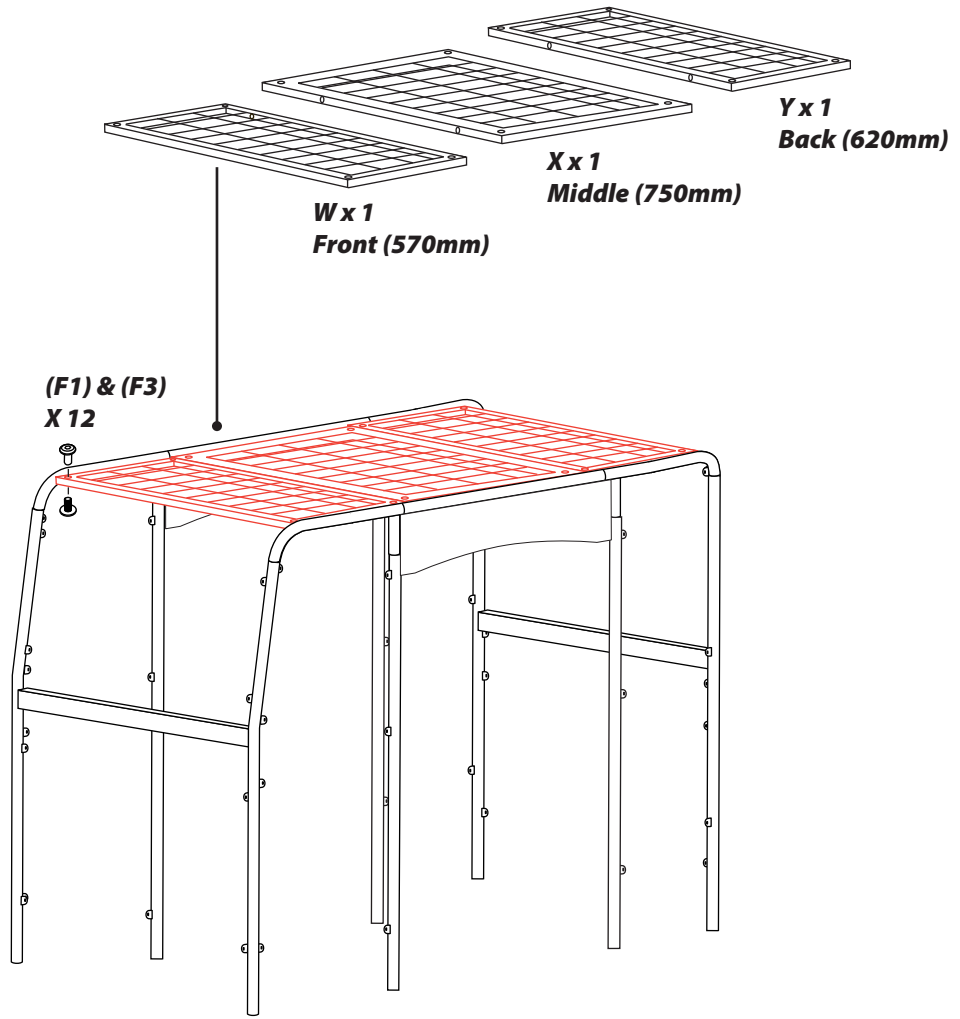


Do not overtighten MDF panel fixings.

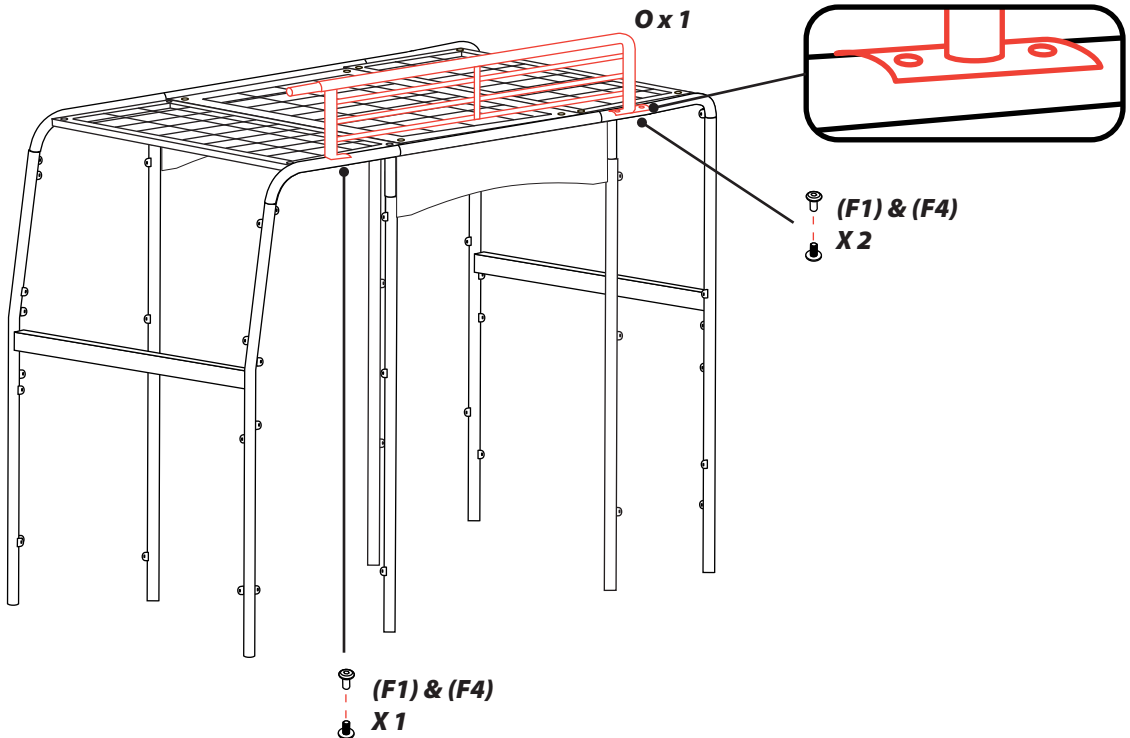


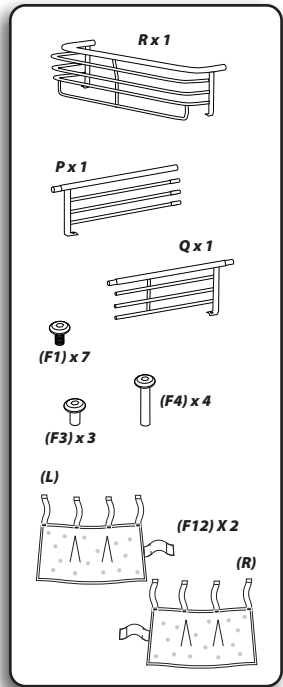


Loosely attach sections W, X & Y to the frame until each section fits correctly - then fully tighten.

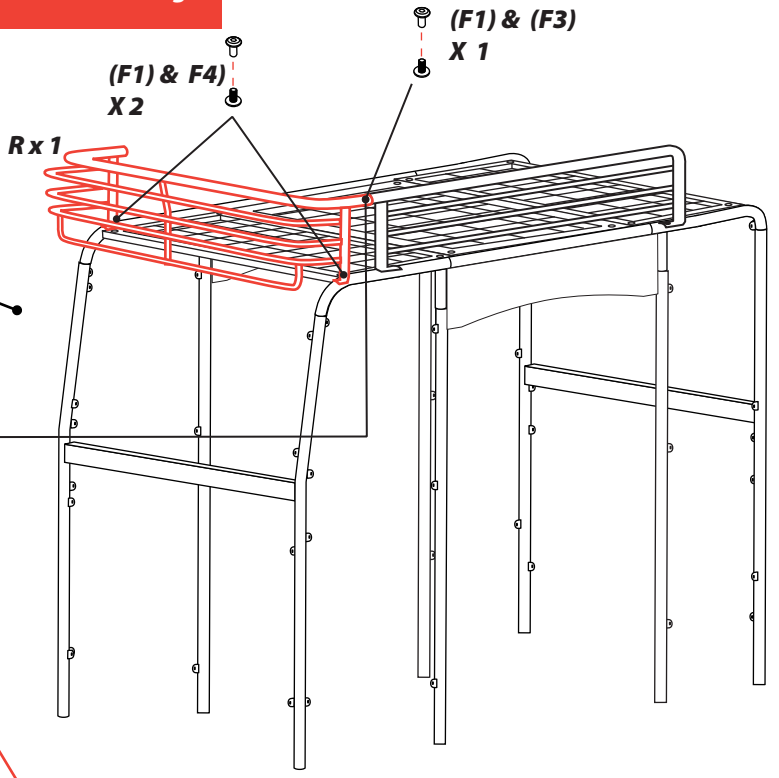
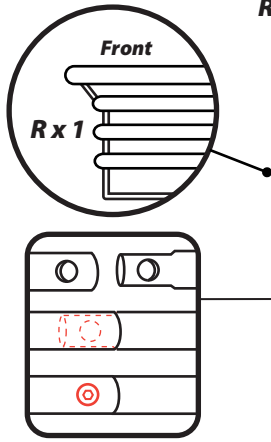


Loosely tighten this section at this stage.

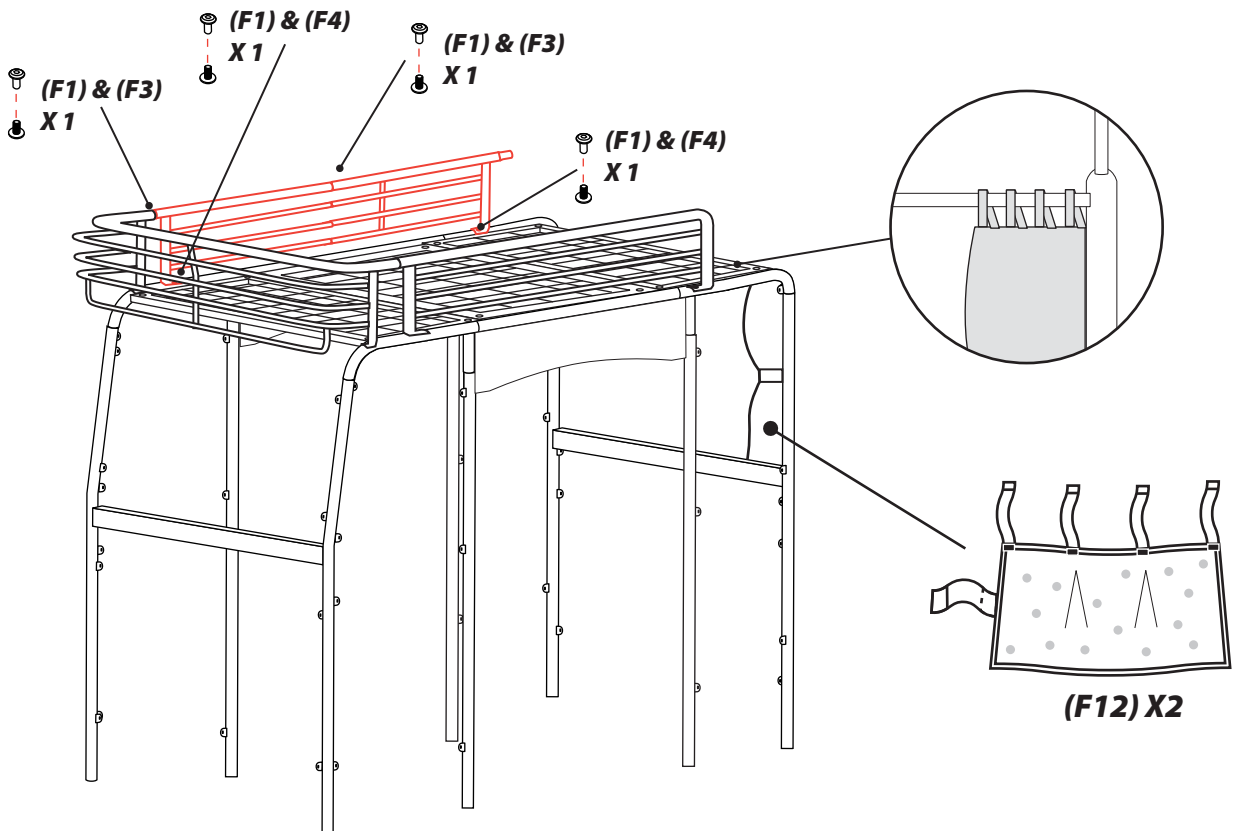
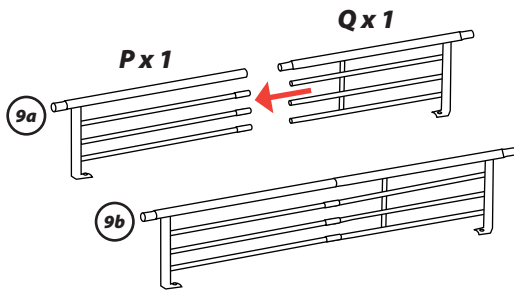


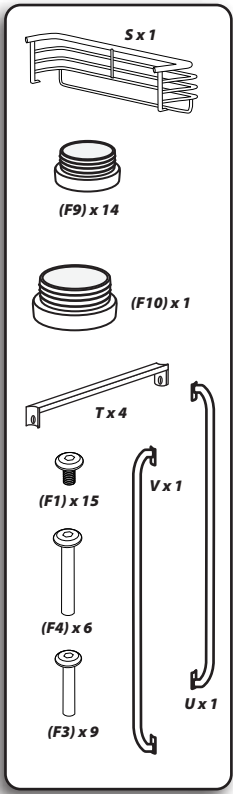


Loosely tighten this section at this stage.



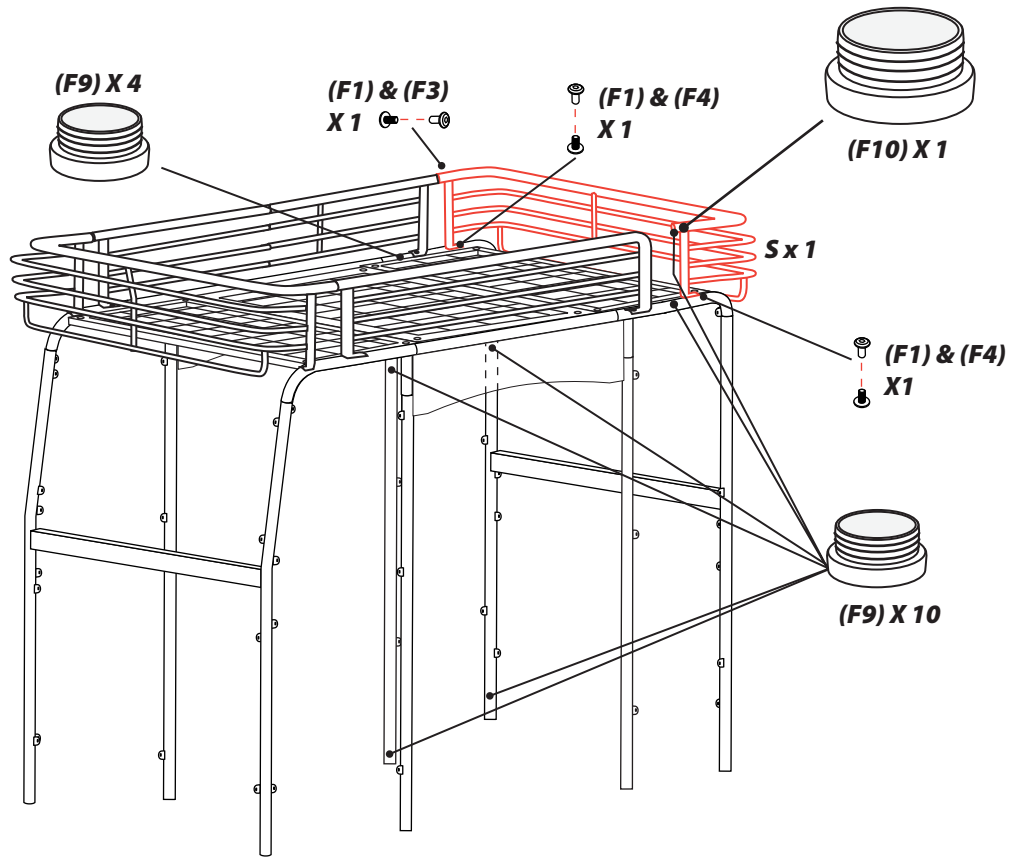
Loosely tighten this section at this stage.





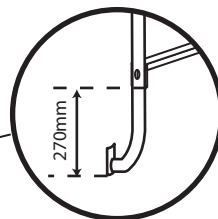
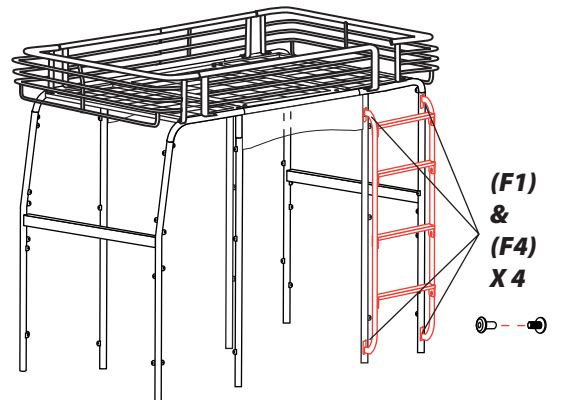
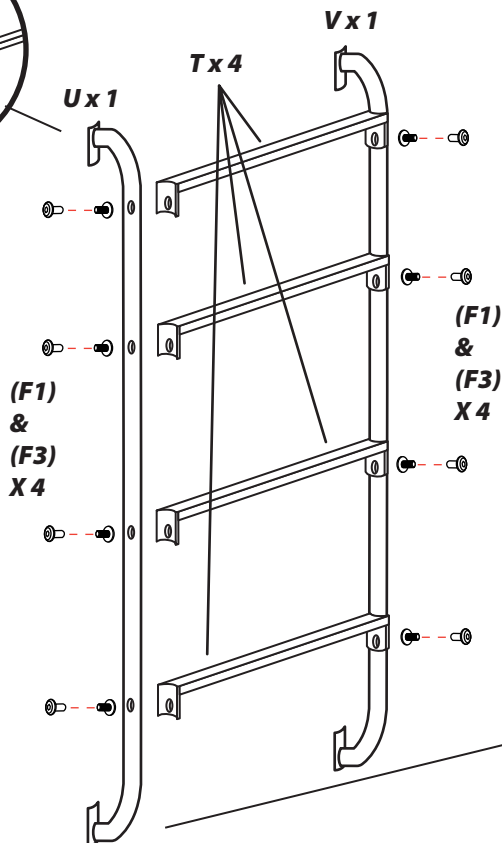
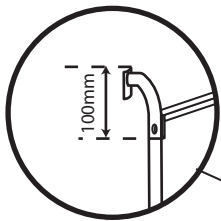
10

Loosely tighten this section at this stage.



11

Now fully tighten all frame fixings before moving onto next stages

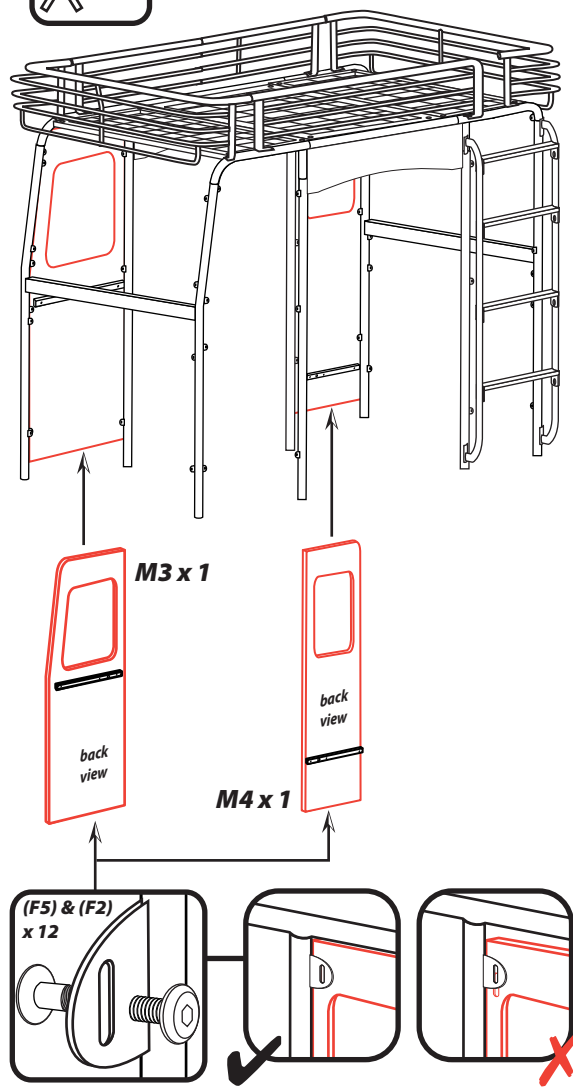
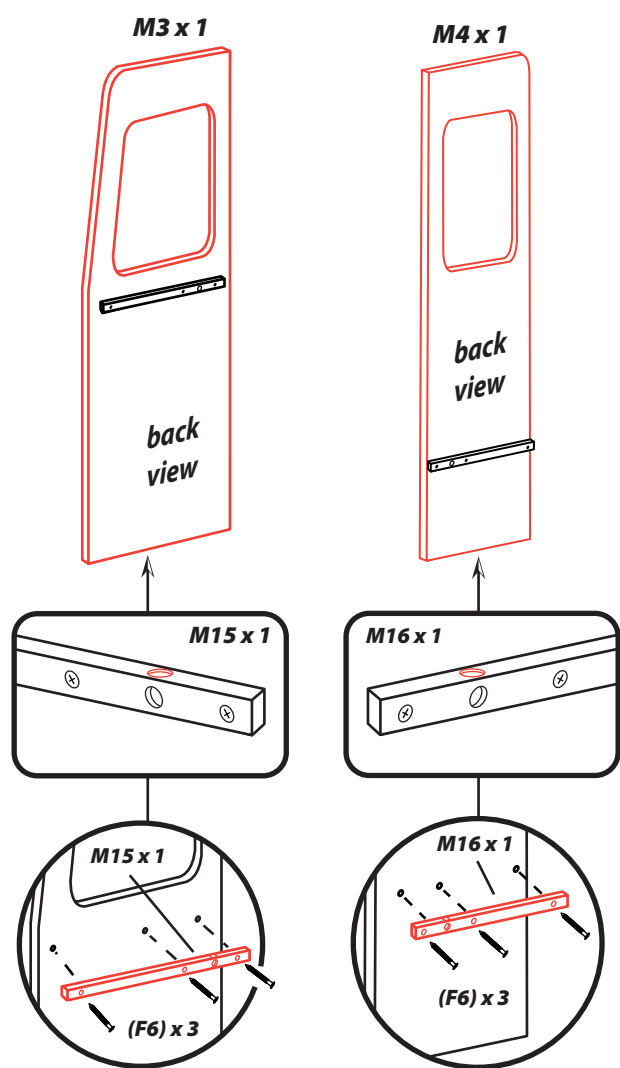


12

Screw all the batons to the panels first before attaching the panels to the frame

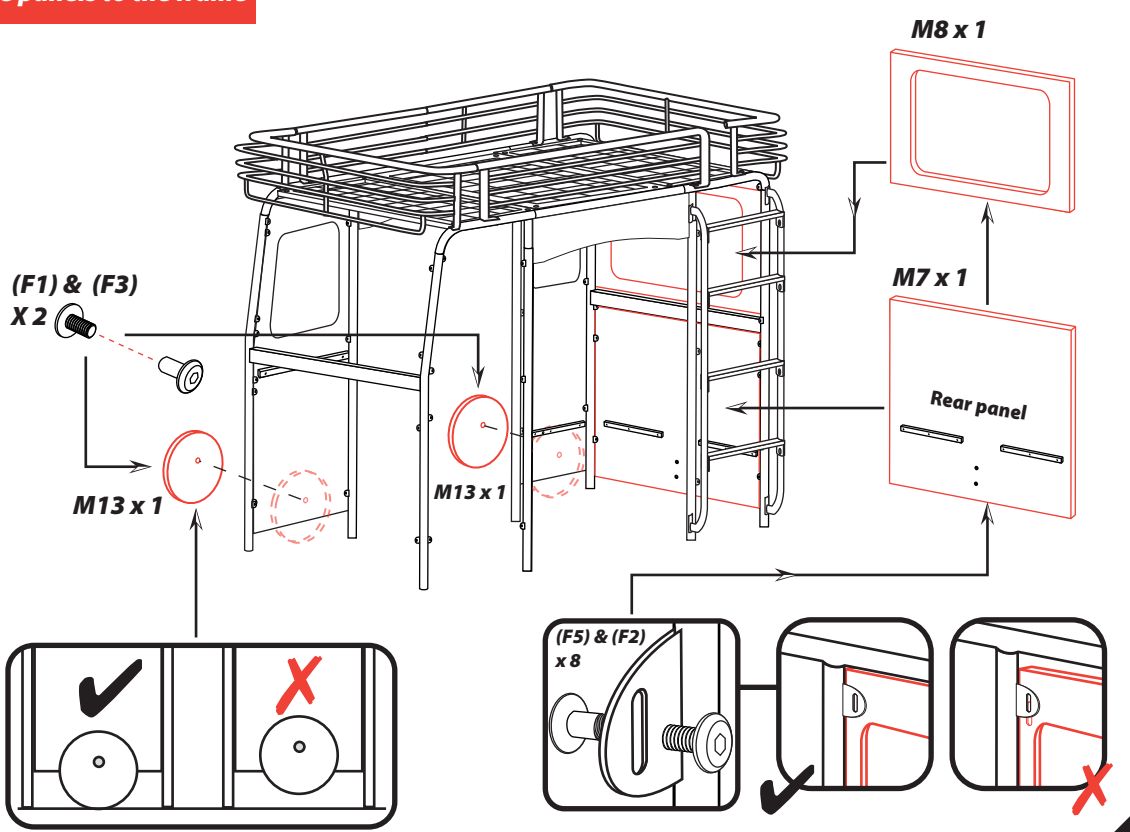
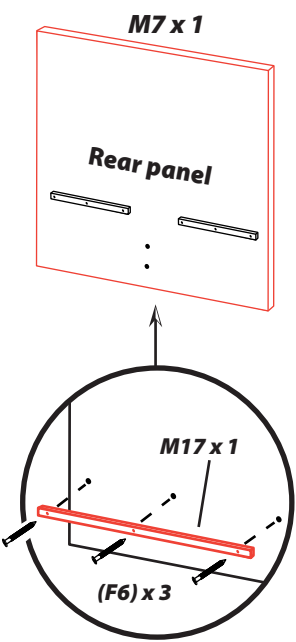
x2

- M3 x 1
- M4 x 1
- M15 x 1 (410mm)
- M16 x 1 (410mm)
- M7 x 1
- M8 x 1
- M17 x 2 (410mm)
- M13 x 2
- (F5) x 20
- (F2) x 20
- (F1) x 2
- (F3) x 2
- (F6) x 12



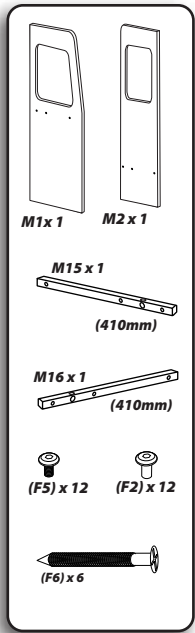
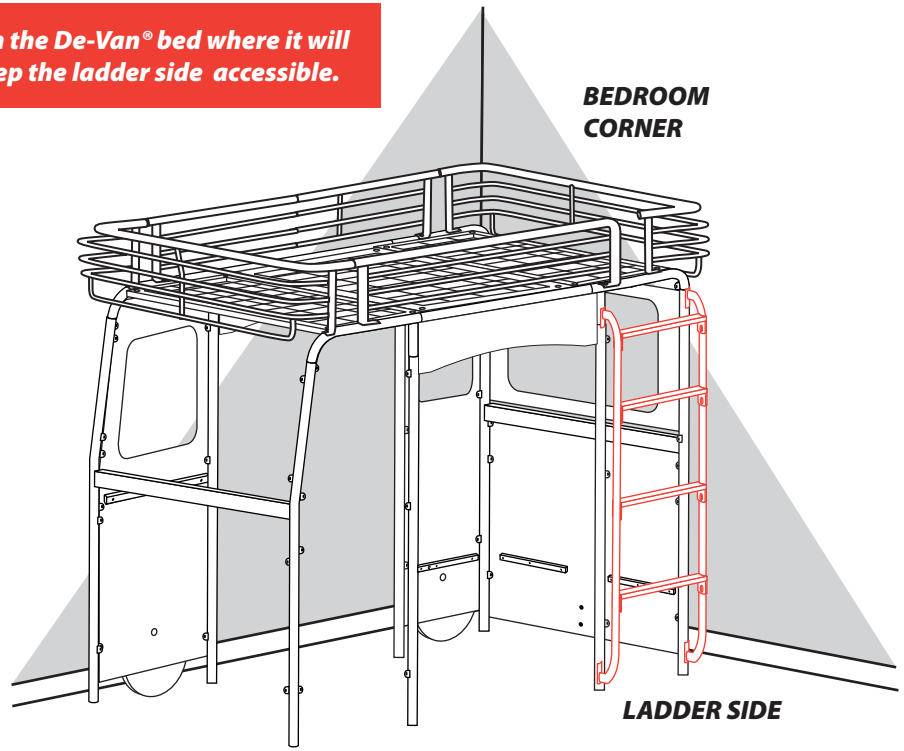
13

Screw all the batons to the panels first before attaching the panels to the frame



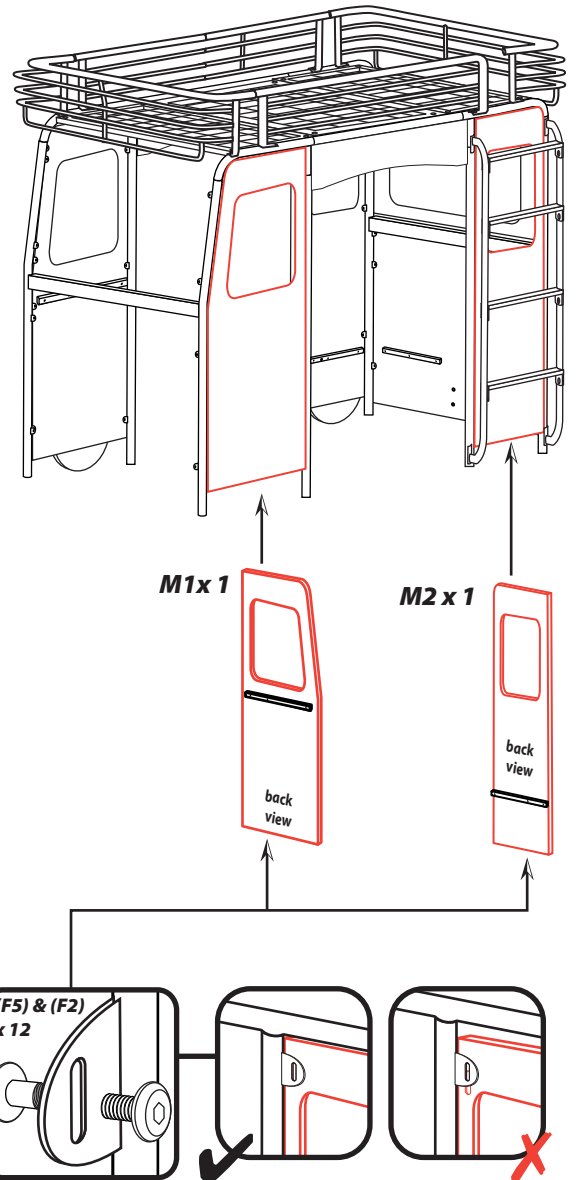
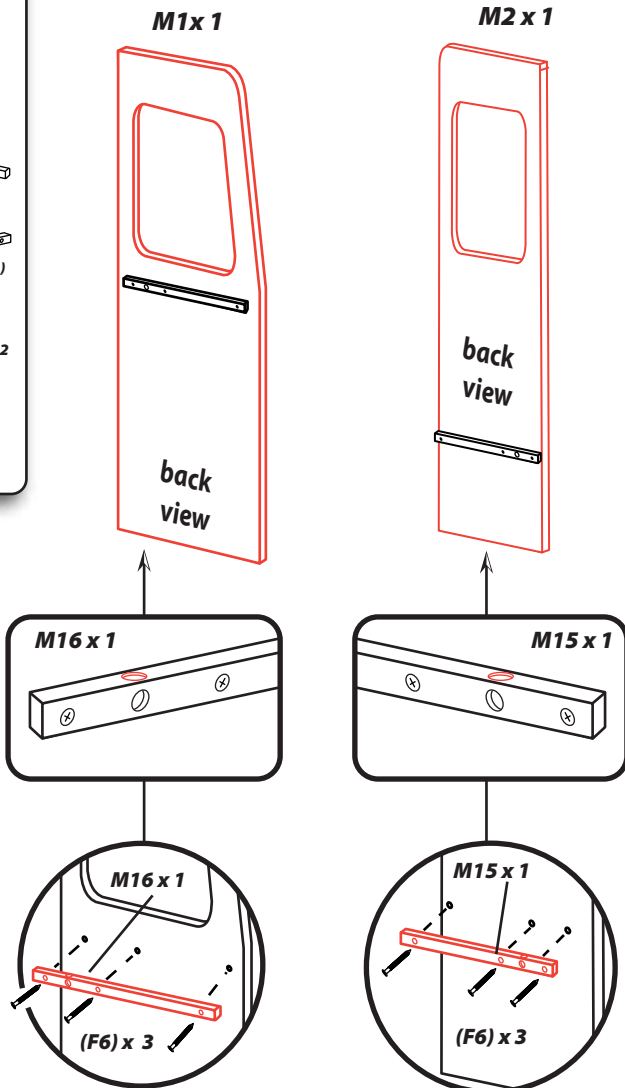
14

Now at this stage position the De-Van® bed where it will be used. Remember to keep the ladder side accessible.



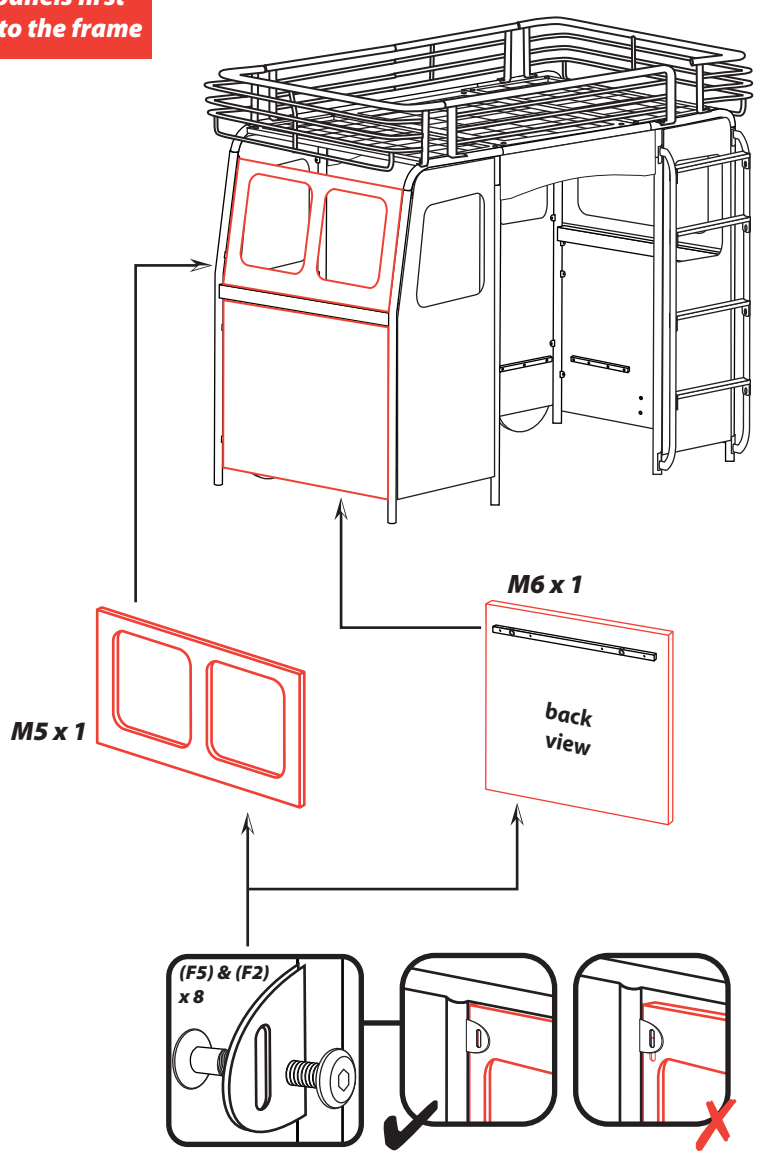
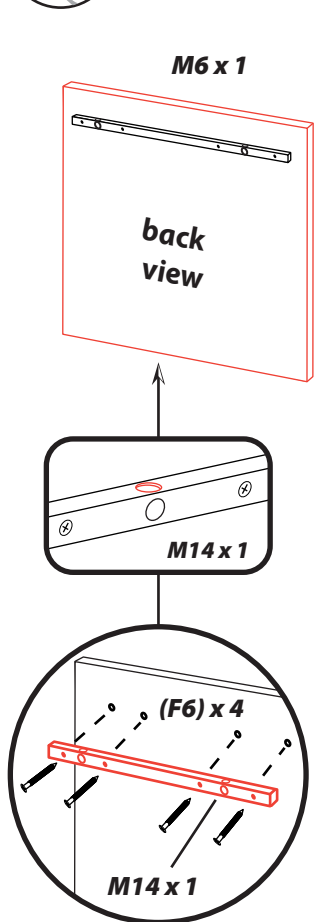
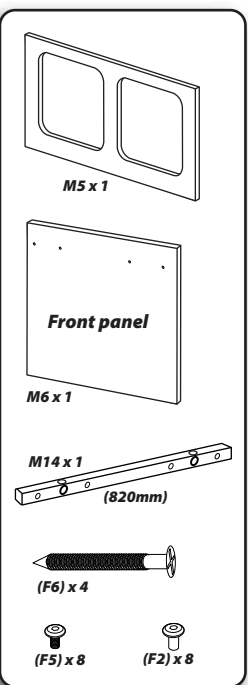
15

Screw all the batons to the panels first before attaching the panels to the frame

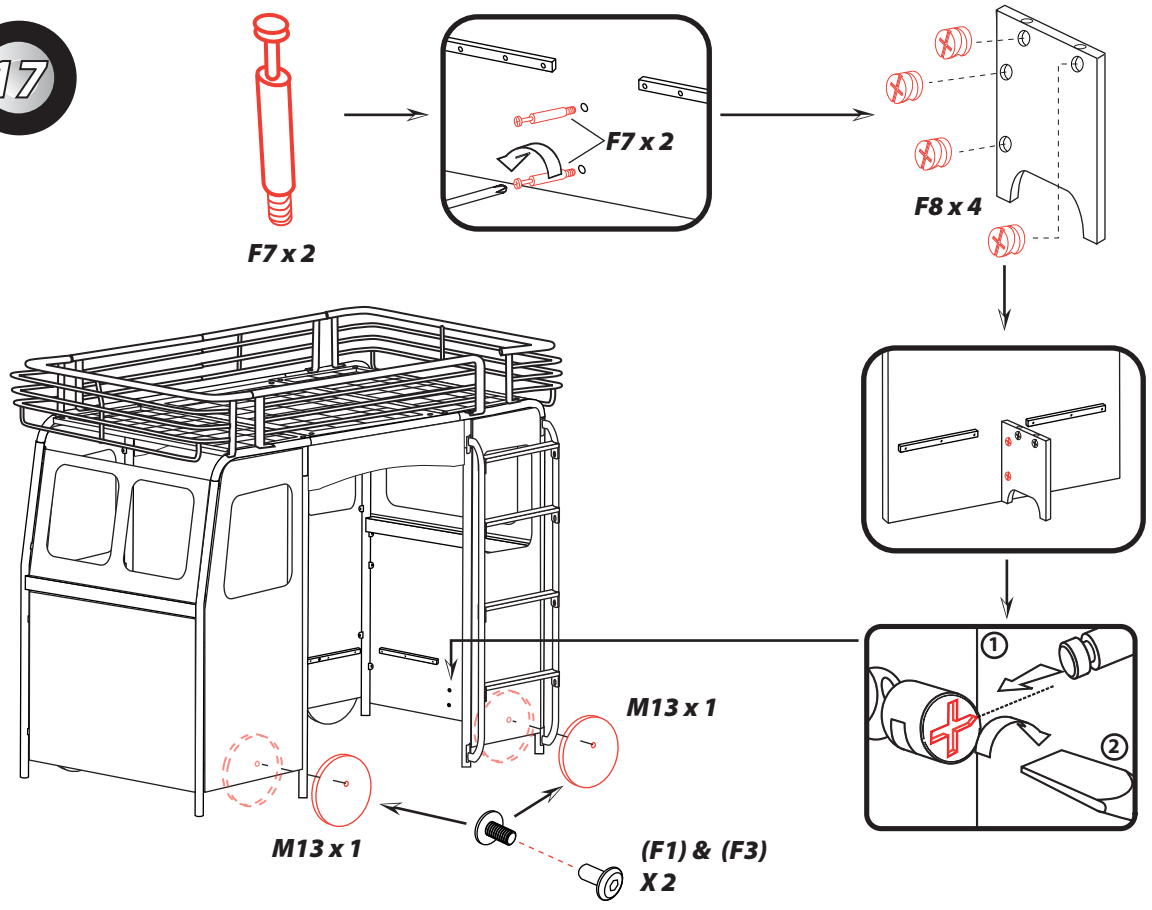
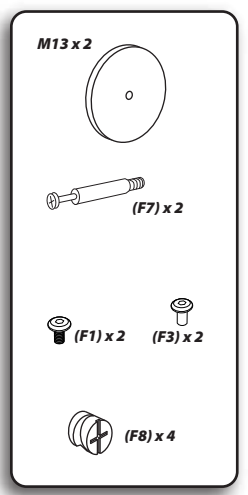


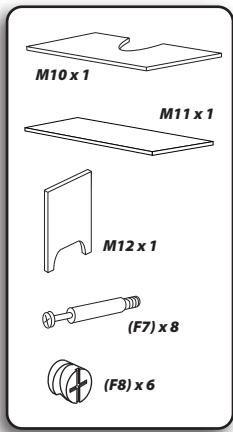
16

Screw all the batons to the panels first before attaching the panels to the frame

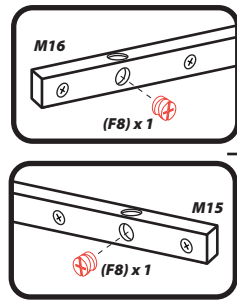


17

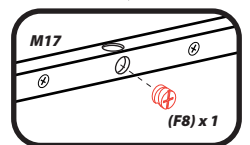
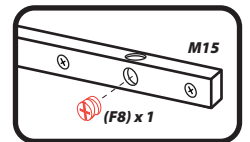
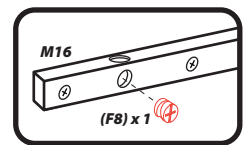
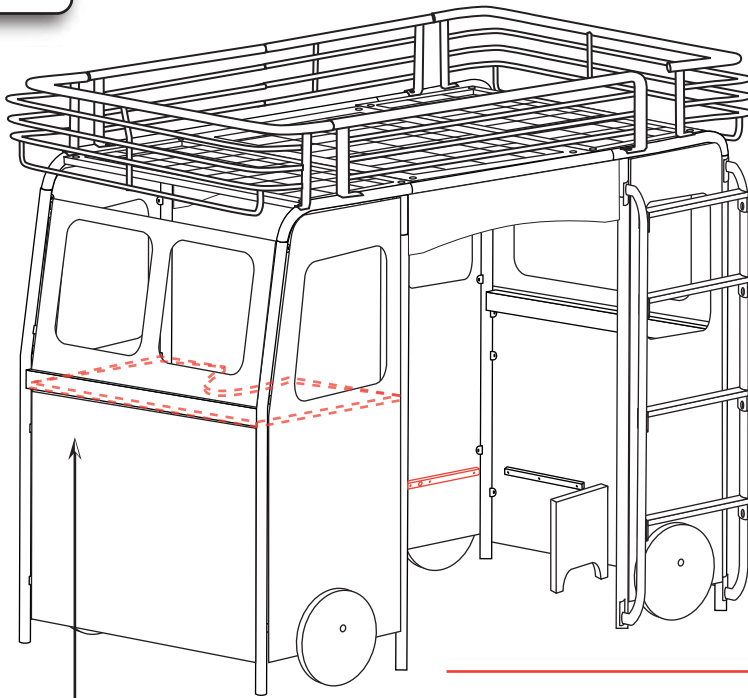
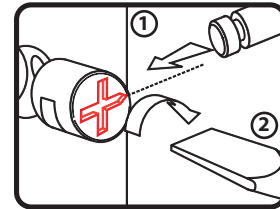
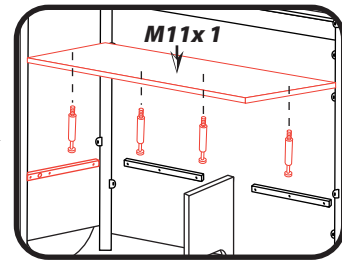




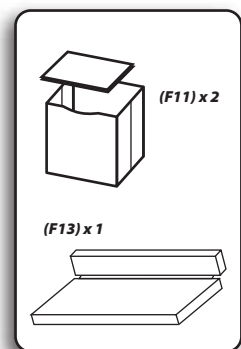
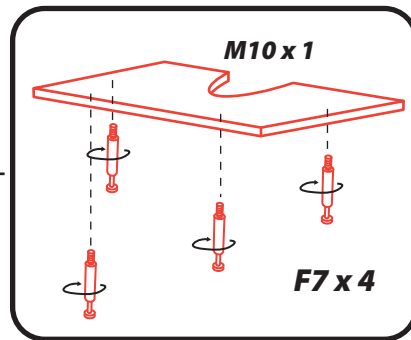
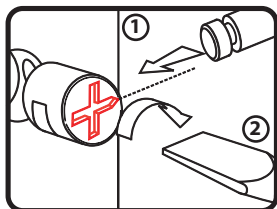
18



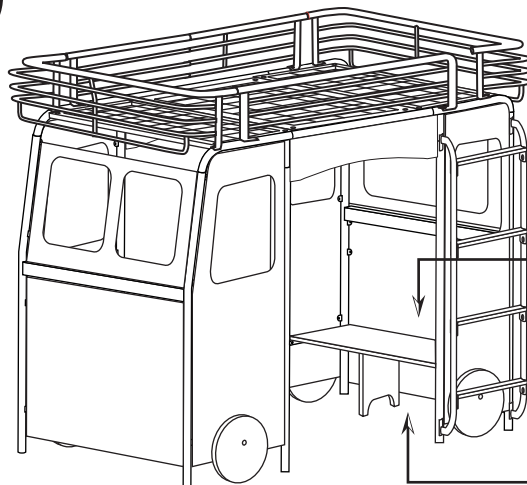
F7 x 4



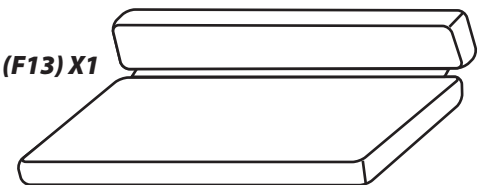
F7 x 4



19



(F13) X1



(F11) X2

