

6. Locate the peak of the inner cover.



Pull this up to the front peak of the frame and attach the 2 hook & loop fasteners only (as shown).

7. A. Pull the peak of the outer cover up onto the peak of the frame (as shown).



B. Pull the corners of the outer cover onto both corners of the frame (as shown).



8. Carefully pull the cover over the frame. Blue seam to line up with blue mouldings.



9.



When the frame is full inserted into cover, fasten the remaining 8 hook & loop fasteners over the frame.

10.

Zip up rear panel. Re-attach the rear window fasteners.

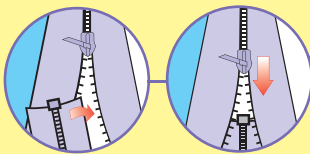


11.

Zip up door panel



Slot zipper into opening and close zip.



12.

Insert roof rod.



STORAGE



A. Remove roof rod.



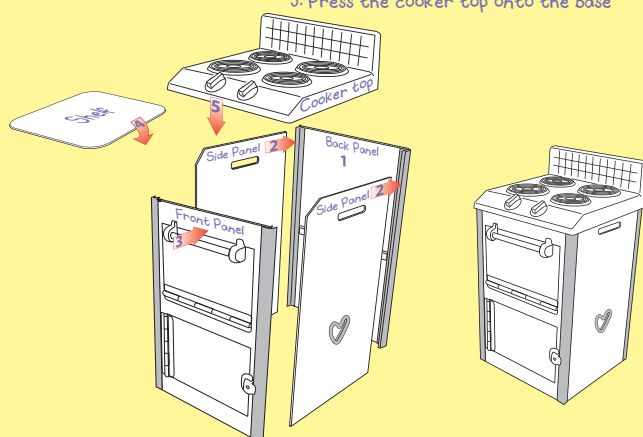
B. Store roof rod under ridge (as shown).



C. Cottage B fits inside Cottage A

Cooker Assembly

1. Lay back panel flat
2. Press the side panels into the back panel
3. Press the front panel onto the sides
4. Insert shelf
5. Press the cooker top onto the base



From the
Dream Town[®]
collection

Where dreams have room to grow

3+



Only the finest quality materials



Beautiful fabric walls



Finely crafted accessories

Rose Petal Cottage[®]

COTTAGE ASSEMBLY INSTRUCTIONS

WARNING!

Warning! Keep away from fire. Adult assembly required.

Clean only with a damp cloth.

Only use this product on level ground, clear of any toys or other objects.

Do not continue to use this product if any part of the frame becomes either bent or broken, immediately contact our Customer Services department in the event of a failure.

Constant adult supervision is recommended.

Recommended for children from 3 years.

For indoor use only.

Retain instructions for future reference.



The Innovation Factory
St. Columb Major
Business Park,
Cornwall
TR9 6SX
United Kingdom

INS.29ERC - 02/06/08

CUSTOMER CARE

FREEPHONE: 0800 389 8591 (UK only)
customercare@worldsapart.com
www.worldsapart.com

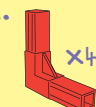
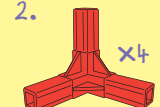
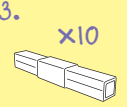
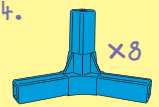
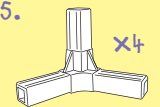
© 2008 Worlds Apart Limited.
All rights reserved.
Patent Pending.
Design Right Worlds Apart Limited.

Made in China



Not suitable for children under 36 months due to small parts. Adult assembly required.

Cottage Contents

-  x4
 -  x4
 -  x10
 -  x8
 -  x4
- | | | | |
|---|----|---|----|
| 1 | x4 | 1 | x9 |
| 2 | x5 | 2 | x1 |
| 6 | x2 | 3 | x1 |
| 7 | x4 | 4 | x4 |
| 8 | x4 | 5 | x4 |



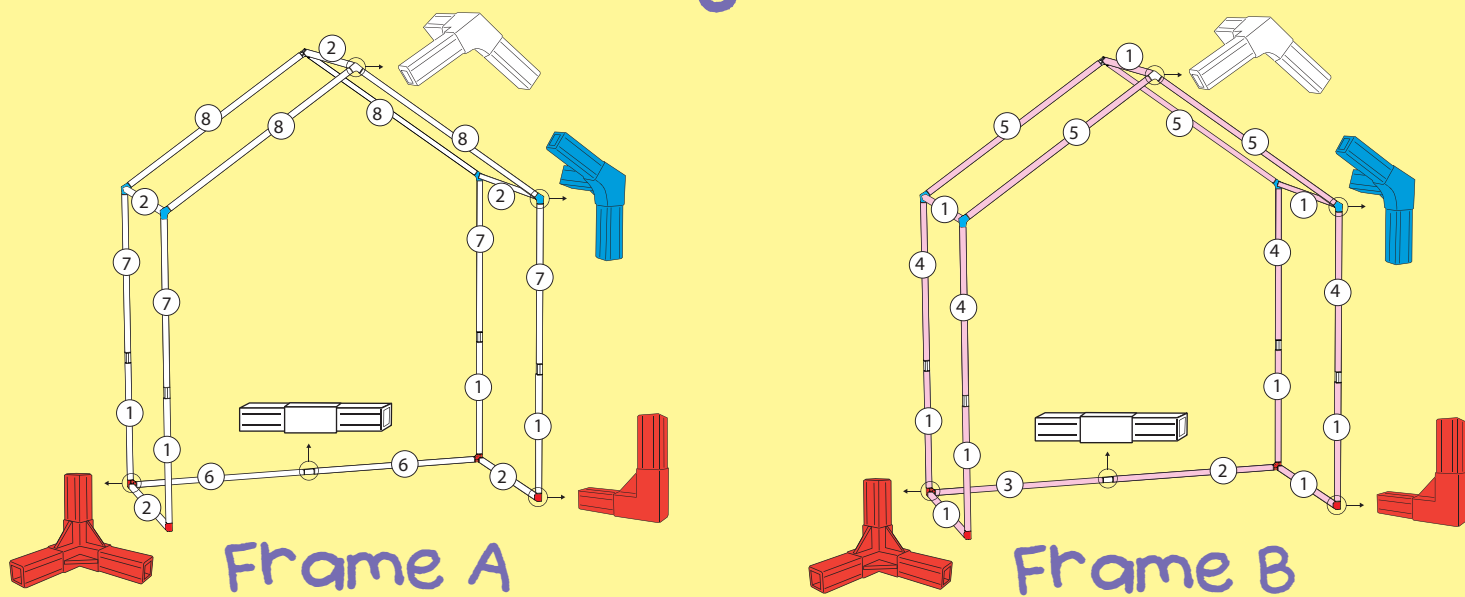
6. A. Pull the peak of the outer cover up onto the peak of the frame (as shown).

B. Pull the corners of the outer cover onto both corners of the frame (as shown).

7. Carefully pull the cover over the frame. Blue seam to line up with blue mouldings.



Frame Assembly



Cover Assembly - A



Cover Assembly - B

